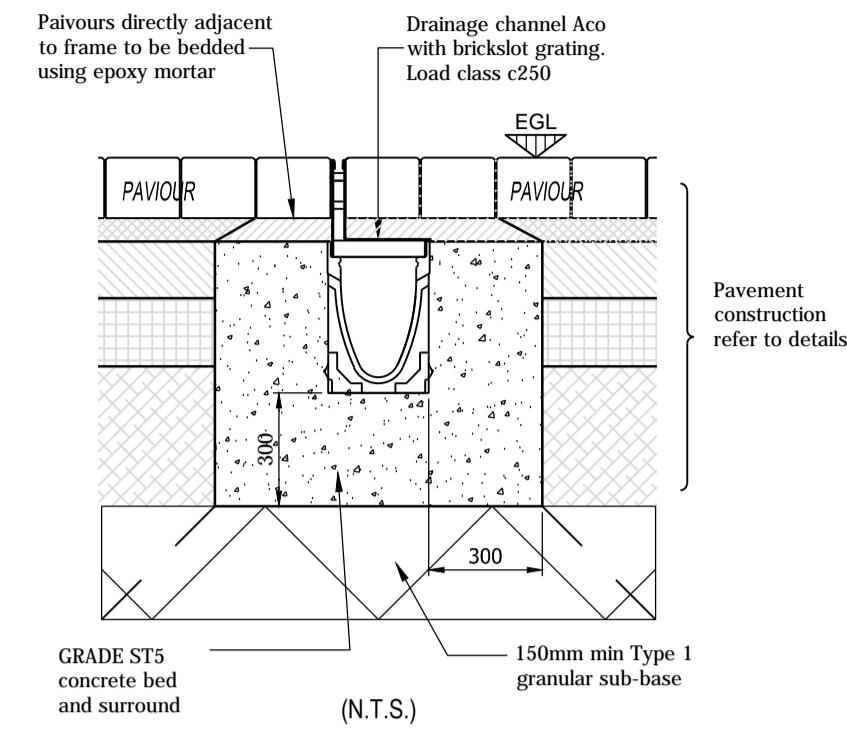
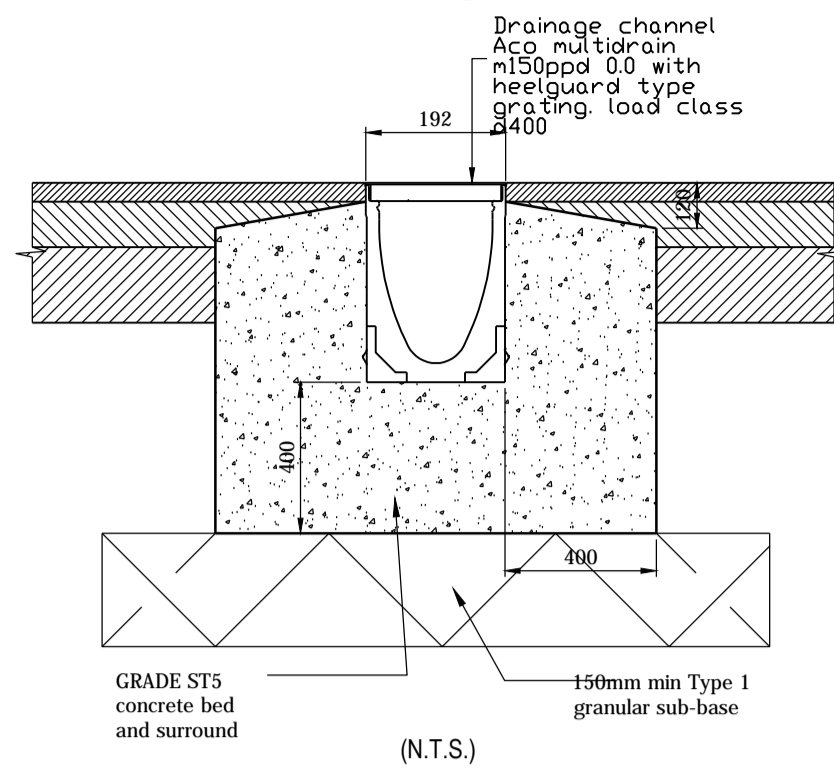


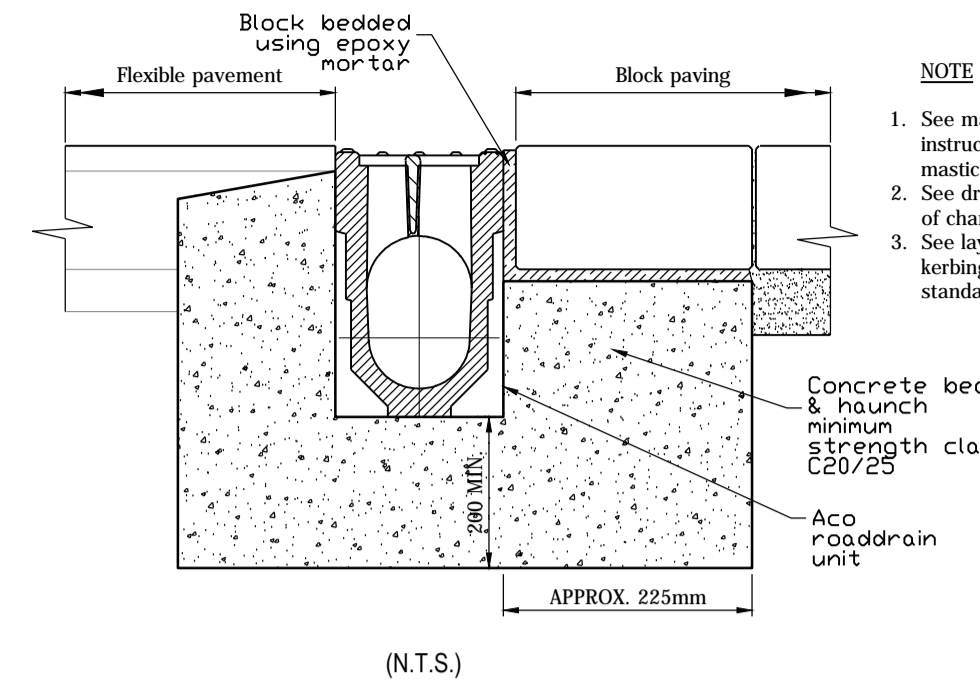
DETAIL 5.1
LINEAR DRAINAGE CHANNEL
(ADJACENT TO RETAINING WALL)



DETAIL 5.2
LINEAR DRAINAGE CHANNEL

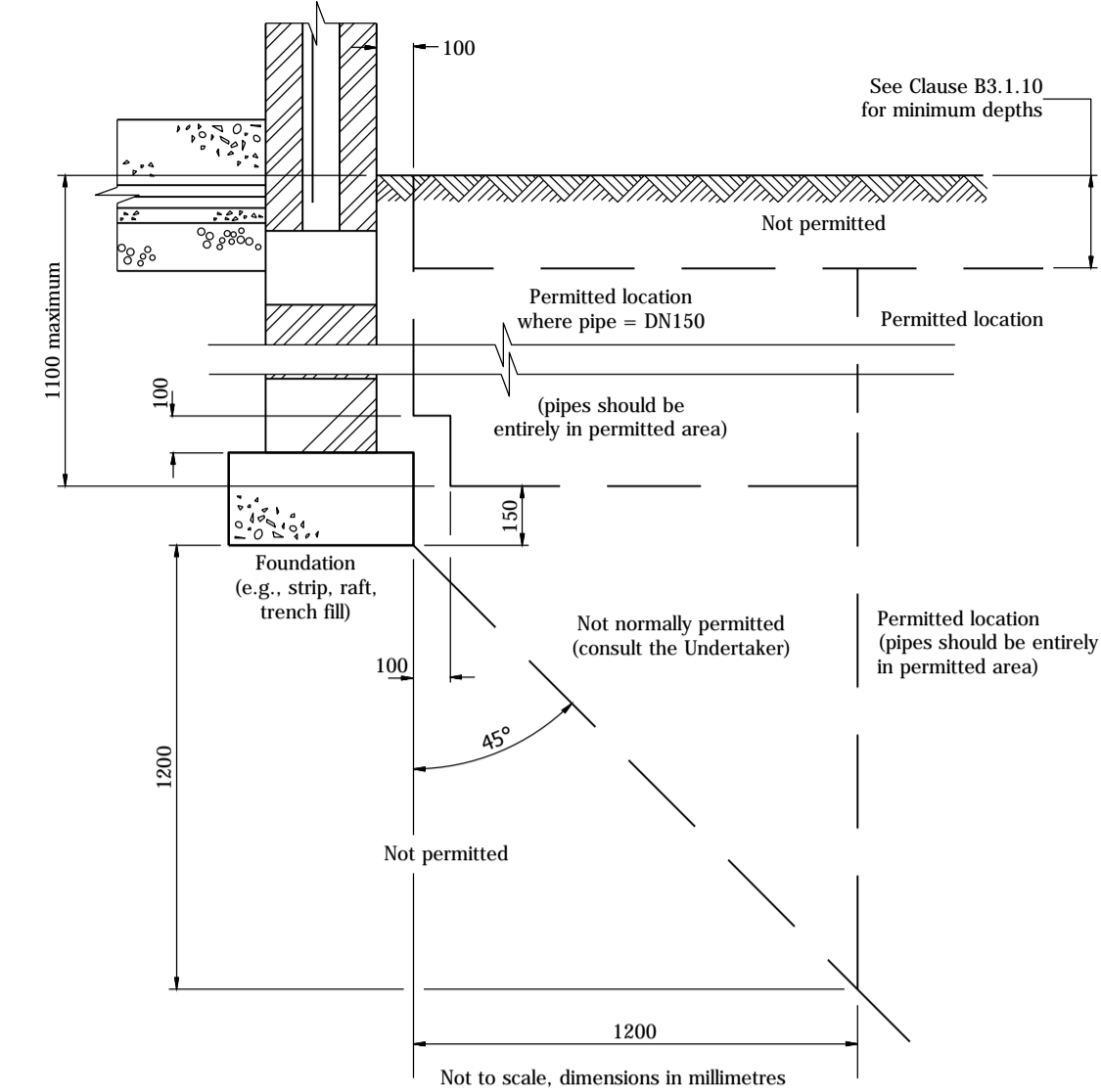


DETAIL 5.3
CHANNEL DRAIN DETAIL

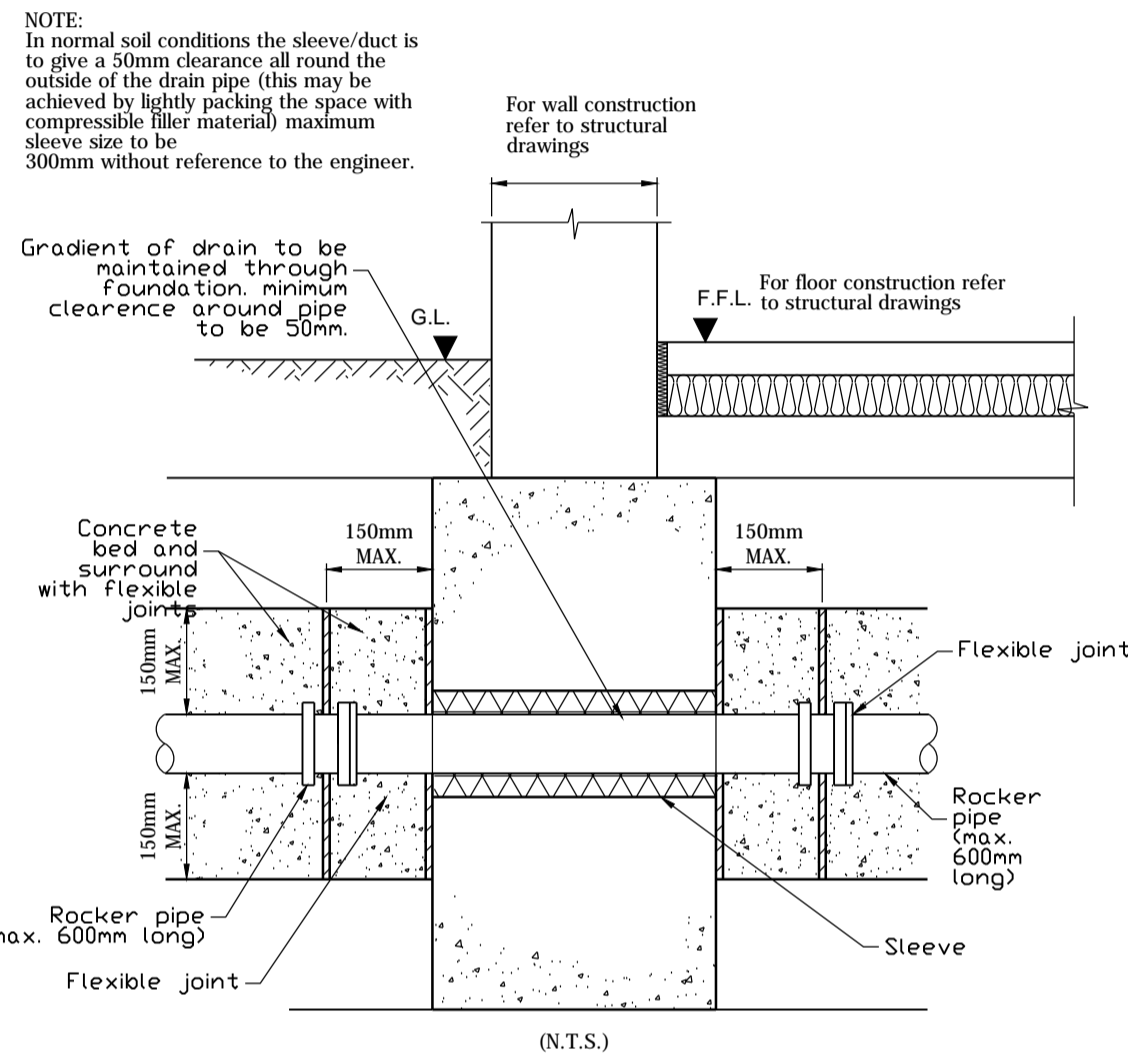


- NOTE**
1. See manufacturers installation instructions for details of mastic jointing material etc.
 2. See drainage dwg's for details of channel drain positions.
 3. See layout plans for extent of kerbing & interface with standard kerbs.

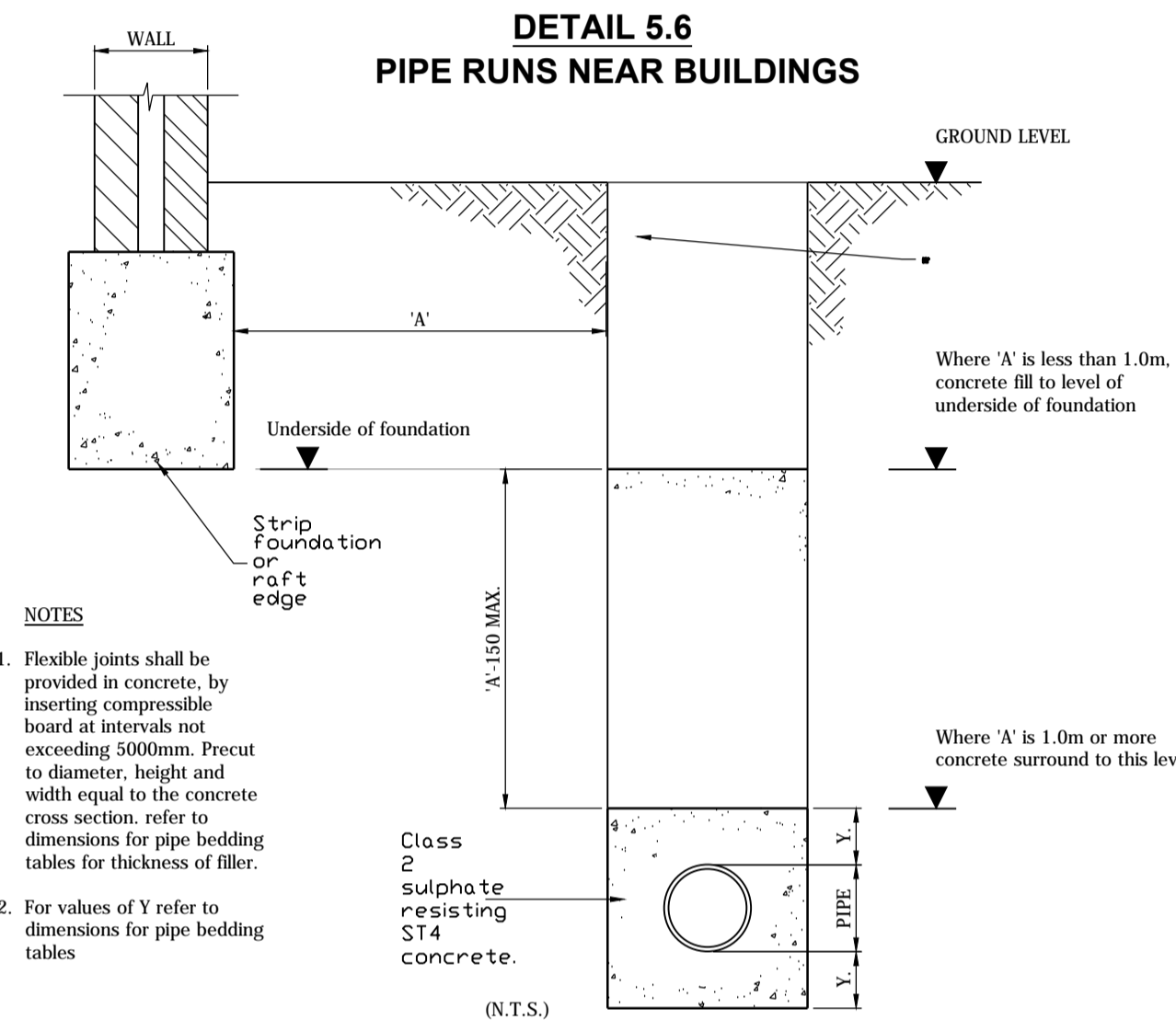
DETAIL 5.4
PERMITTED LOCATION OF SEWERS AND LATERAL DRAINS IN PROXIMITY TO BUILDINGS



DETAIL 5.5
DRAINS THROUGH STRIP FOUNDATIONS



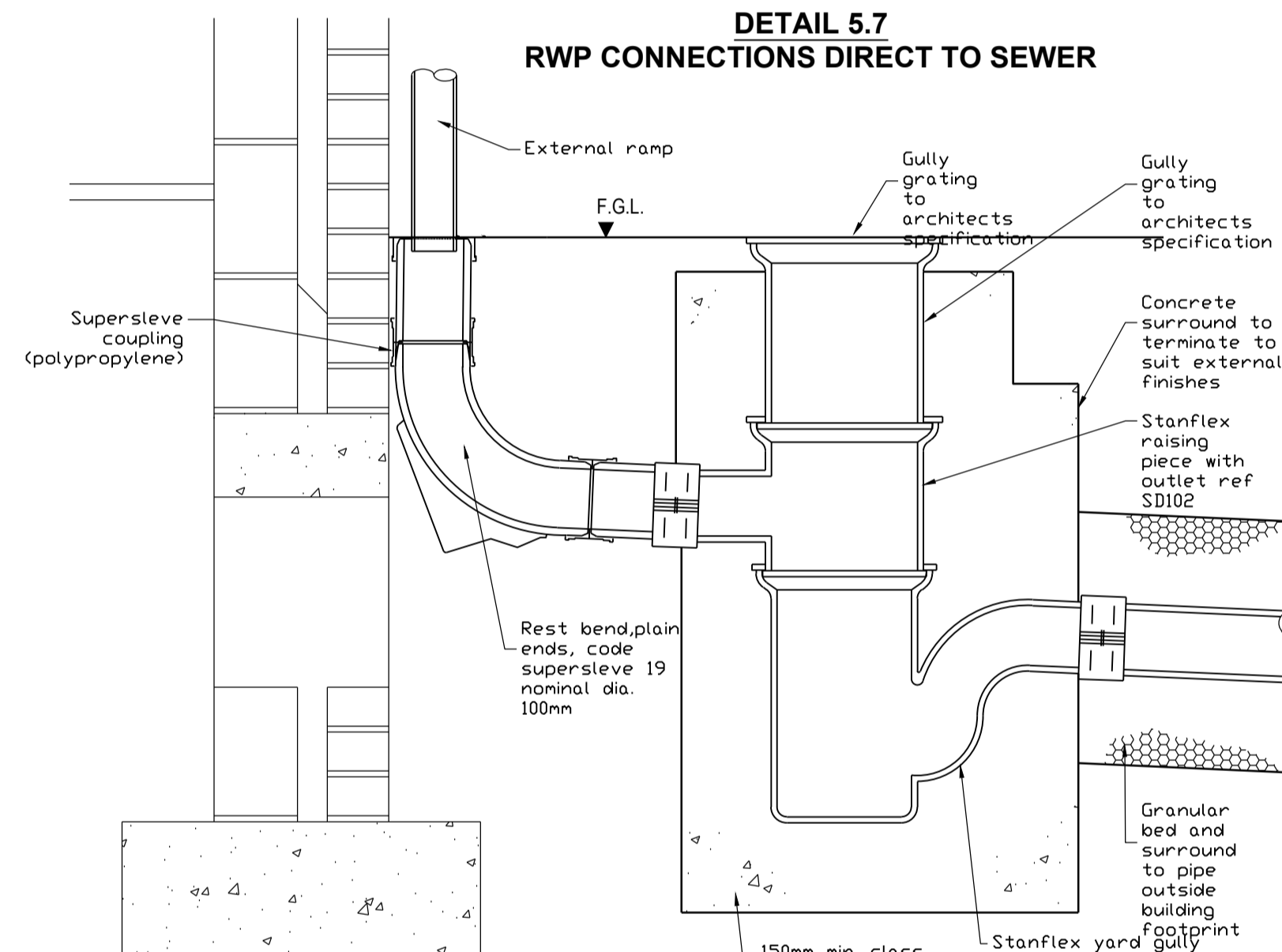
DETAIL 5.6
PIPE RUNS NEAR BUILDINGS



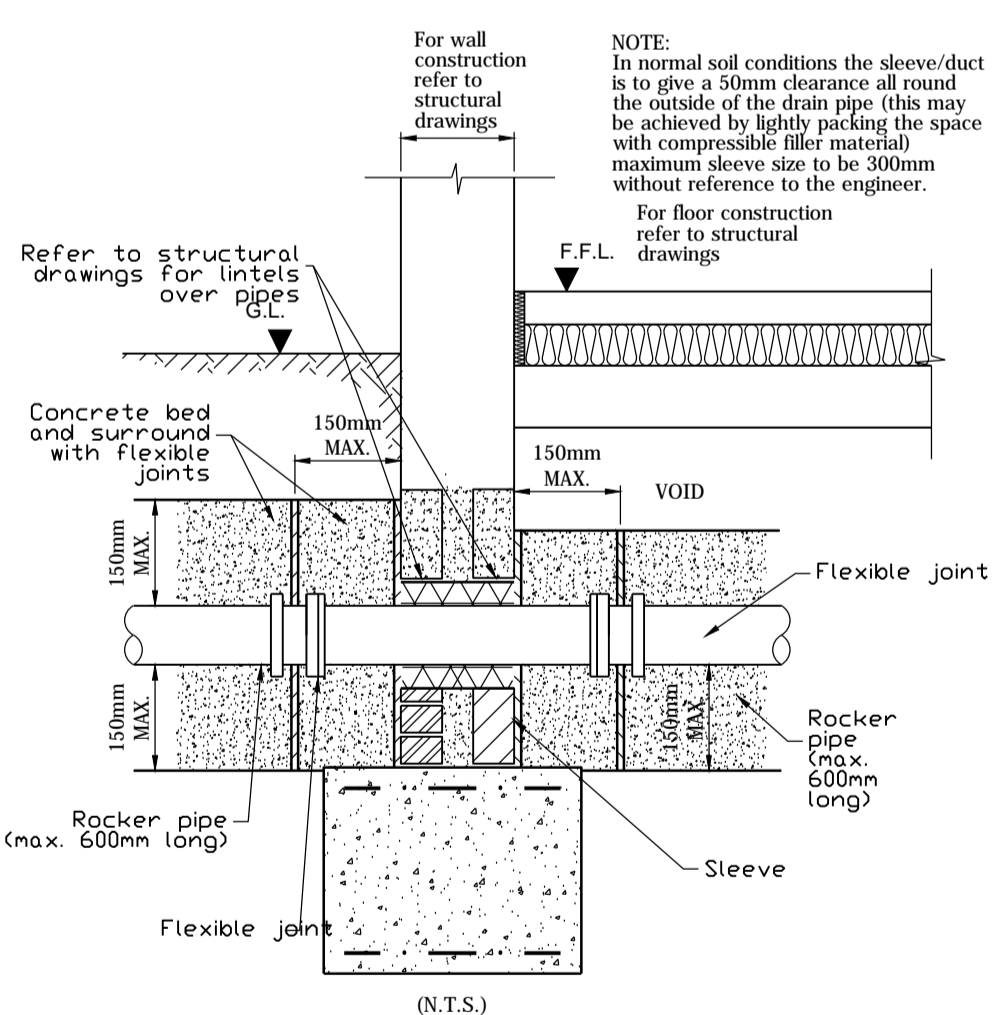
NOTES

1. Flexible joints shall be provided in concrete, by inserting compressible board at intervals not exceeding 5000mm. Precut to diameter, height and width equal to the concrete cross section, refer to dimensions for pipe bedding tables for thickness of filler.
2. For values of Y refer to dimensions for pipe bedding tables

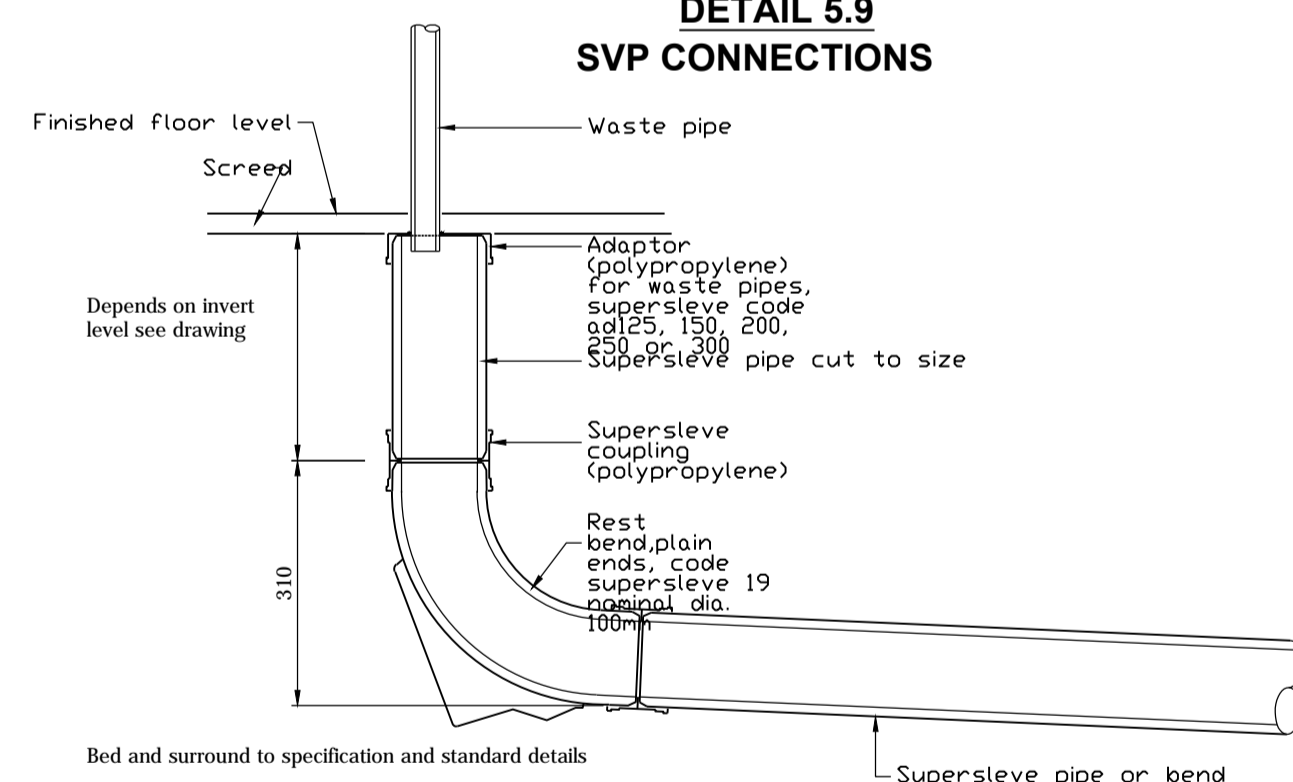
DETAIL 5.7
RWP CONNECTIONS DIRECT TO SEWER



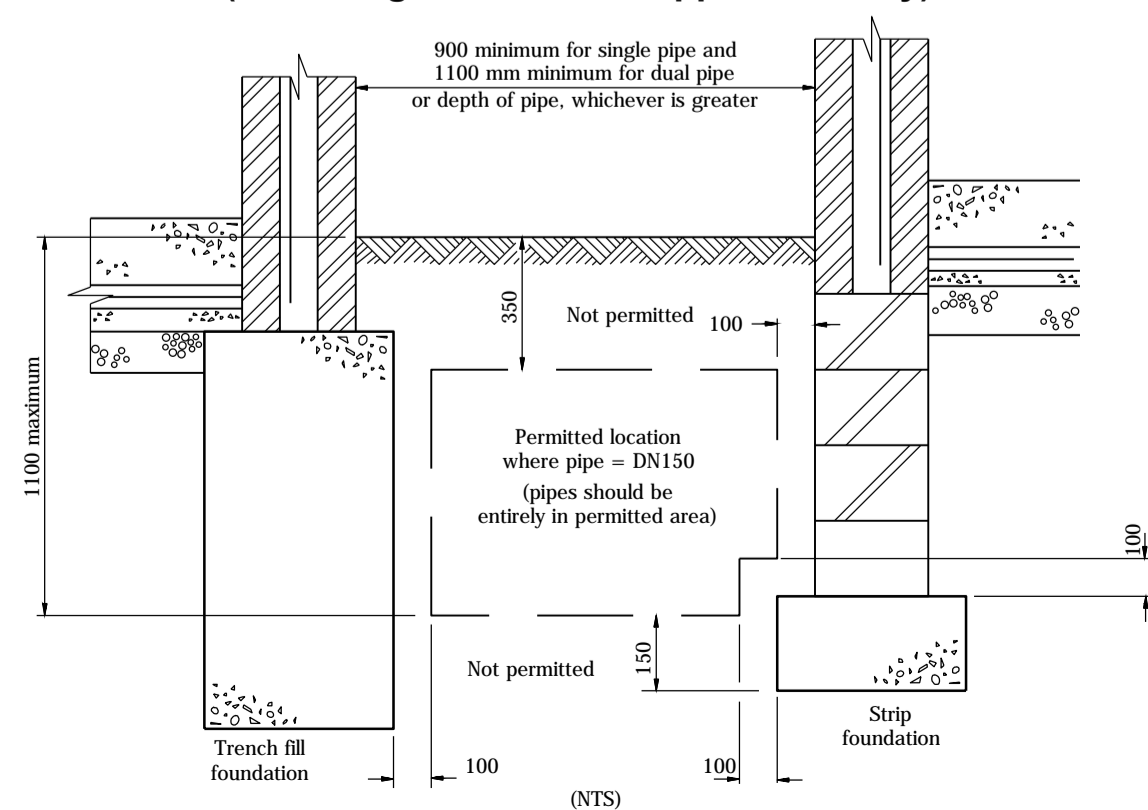
DETAIL 5.8
DRAINS THROUGH WALL FOUNDATIONS



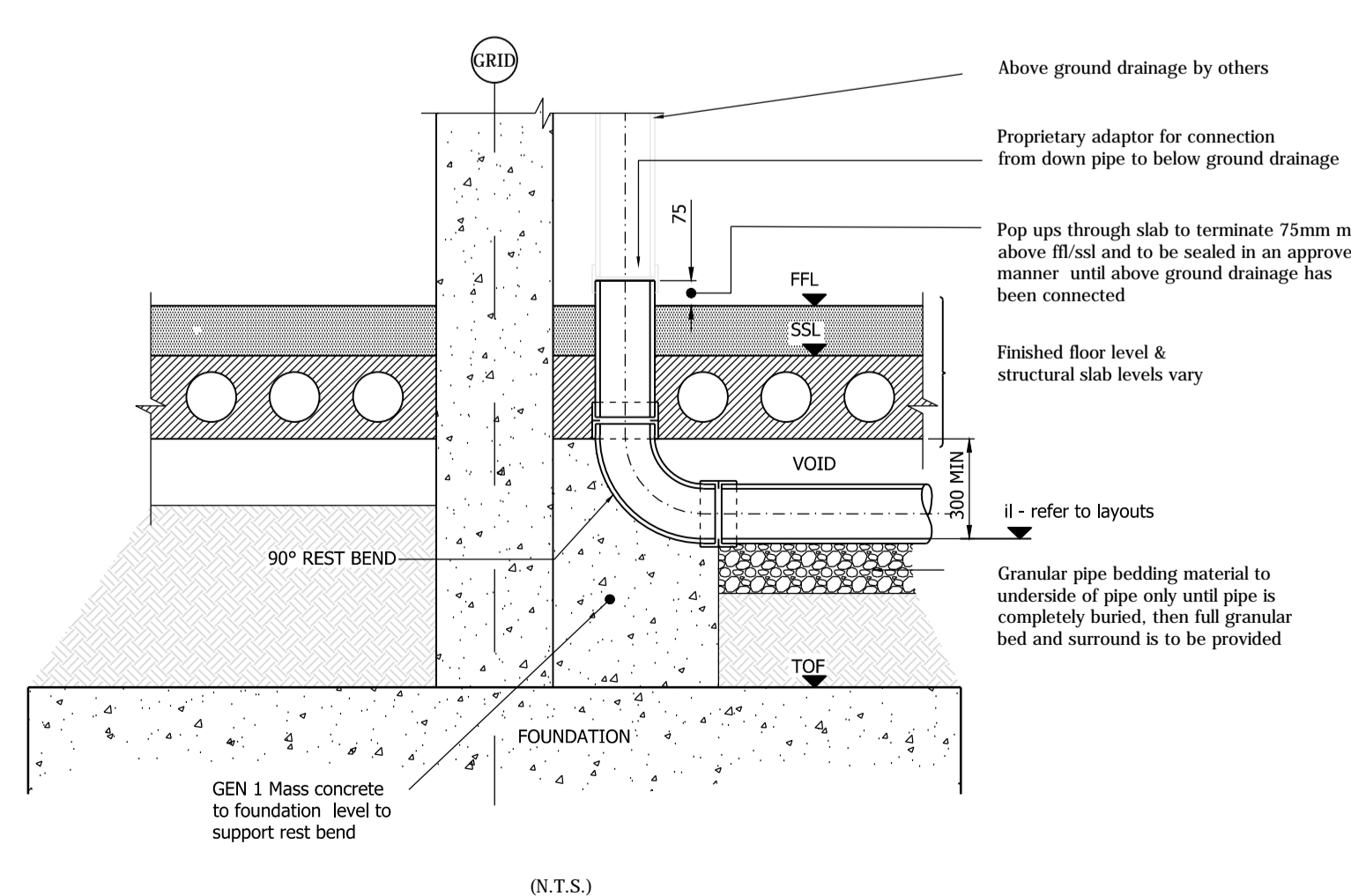
DETAIL 5.9
SVP CONNECTIONS



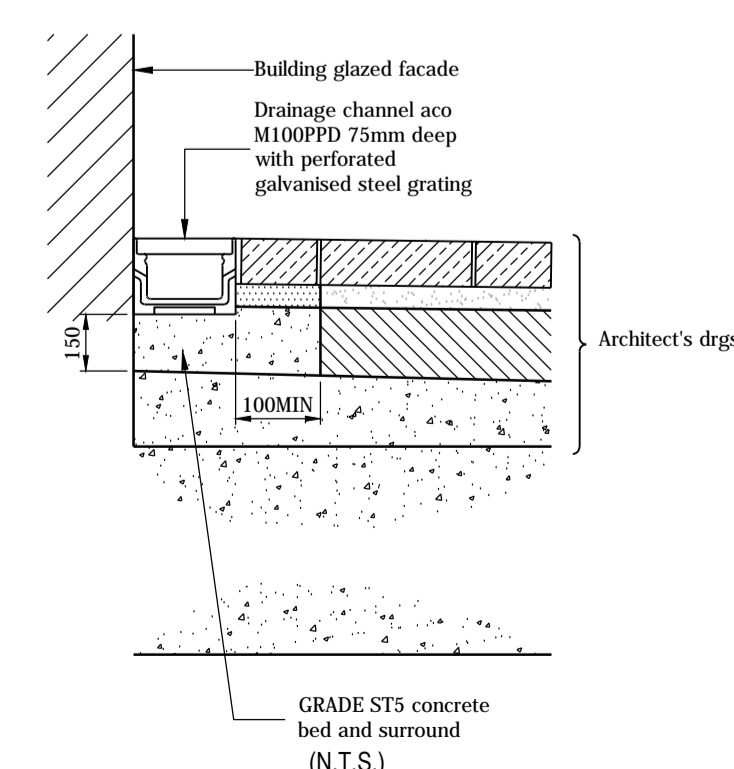
DETAIL 5.10
ADDITIONAL DETAIL - PERMITTED LOCATION OF SEWERS AND LATERAL DRAINS BETWEEN BUILDINGS (where Figure B.1 is not applicable only)



DETAIL 5.11
TYPICAL INTERNAL SVP/RWP CONNECTION



DETAIL 5.12
LINEAR DRAINAGE CHANNEL (ADJACENT TO BUILDING)



PRELIMINARY ISSUE

P1	FIRST ISSUE	DCF	AP	ACP	16.10.17
REV	DESCRIPTION	BY	CHK	APP	DATE



90 VICTORIA STREET
BRISTOL
BS1 6DP

Tel.WYG: +44 (0)117 925 4393
Tel.SBA: +44 (0)117 311 6387
FAX: +44 (0)117 925 4239

Project:
SPTA SFA LARKHILL

Drawing Title:
DRAINAGE DETAILS
SHEET 5

Scale @	A1	Drawn	Date	Checked	Date	Approved	Date
	NTS	DCF	12.10.17	AP	12.10.17	ACP	12.10.17
Project No.	Office	Type	Drawing No.			Revision	
A100941-3	28	C	1855			P1	